

**SIDEWALL SERIES**

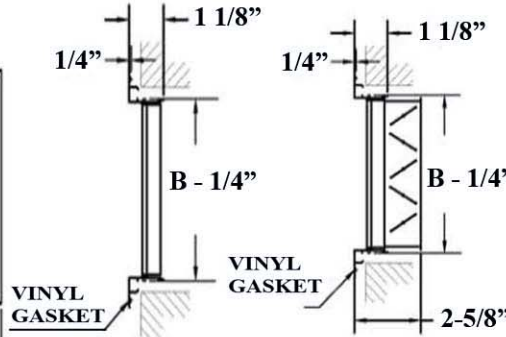
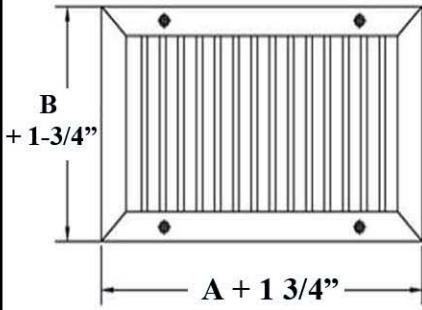
SINGLE DEFLECTION SUPPLY GRILLES AND REGISTERS

**MODELS: VME, VMEOB, HME, HMEOB**

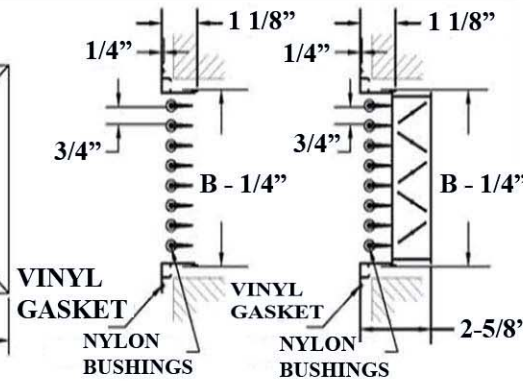
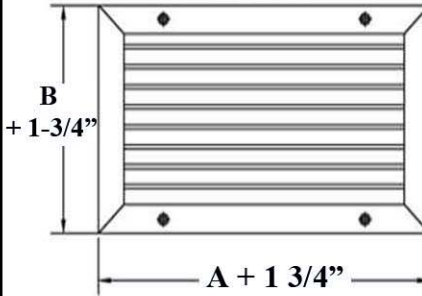
SUSTAINABLE EXTRUDED ALUMINUM

Dimensions are in inches (mm)

**VME FRONT**



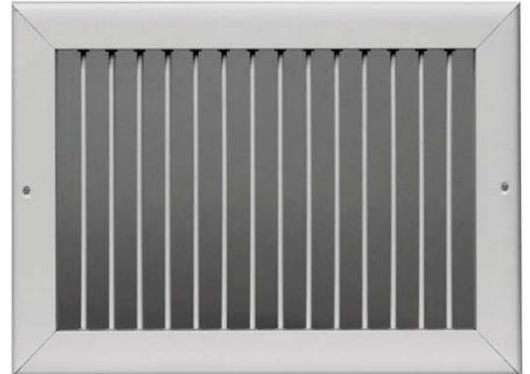
**HME FRONT**



A = LISTED WIDTH, B = LISTED HEIGHT

MODEL:

**VME FRONT**



- VME**  
Single Deflection Supply Grille with Vertical Blades
- VMEOB**  
Single Deflection Supply Register with Vertical Blades (includes OB Damper)
- HME**  
Single Deflection Supply Grille with Horizontal Blades
- HMEOB**  
Single Deflection Supply Register with Horizontal Blades (includes OB Damper)

**DESCRIPTION:**

1. Construction: 6063 Extruded aluminum frame mechanically interlocked with hairline mitered corner for strength. A single set of 6063 extruded aluminum blades on 3/4" (19.05) centers provide air control in a single plane. Blades are individually adjustable with zero metal-to-metal contact with the use of nylon bushings to eliminate noise, corrosion and vibration. Extruded flexible vinyl gasket is standard and produces a perfect positive air seal.
2. Optional screwdriver operated opposed blade damper with nylon bushings.
3. All blades are airfoil in design, individually adjustable and spaced 3/4" on center. At the outer edge of the frame is a specially engineered channel which retains an extruded flexible vinyl bulb gasket that produces a positive air seal at the mounting surface, minimizing smudging.
4. Standard fastening is countersunk screw holes.
5. ME (square contour) is standard frame style.
6. Standard finish is White.

**OPTIONS:**

1. Finish
  - ANOD Clear Anodized
  - MB Medium Bronze
  - B Black
  - Custom \_\_\_\_\_
2. Frame style
  - Beveled Frame Available
3. Other
  - HME-OB-PF, VME-OB-PF
  - HME-OB-FL, VME-OB-FL
  - HME-PF, VME-PF

PROJECT:

ENGINEER:

CONTRACTOR:

DATE

SERIES

DRAWING NO.