

**INDUSTRIAL SUPPLY GRILLES SERIES**

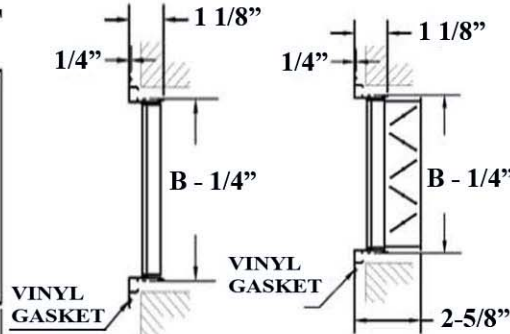
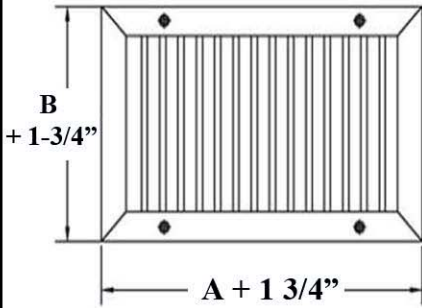
SINGLE DEFLECTION INDUSTRIAL SUPPLY GRILLES AND REGISTERS

**MODELS: VME-I, VMEOB-I, HME-I, HMEOB-I**

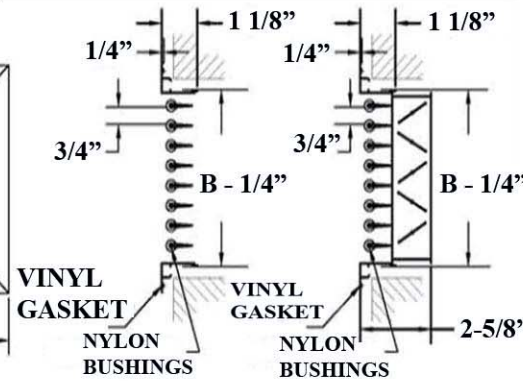
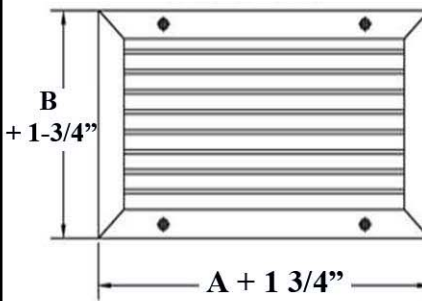
**SUSTAINABLE EXTRUDED ALUMINUM**

**Dimensions are in inches (mm)**

**VME-I FRONT**



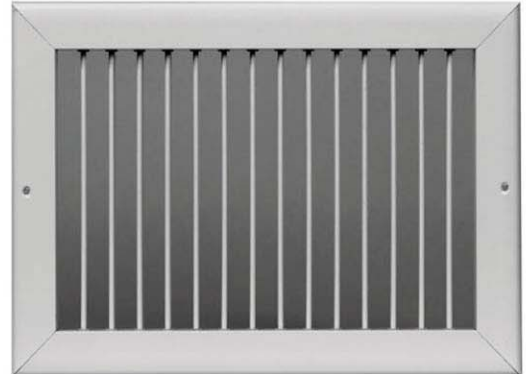
**HME-I FRONT**



**A = LISTED WIDTH, B = LISTED HEIGHT**

**MODEL:**

**VME-I FRONT**



**VME-I**

Single Deflection Industrial Supply Grille with Vertical Blades

**VMEOB-I**

Single Deflection Industrial Supply Register with Vertical Blades (includes OB Damper)

**HME-I**

Single Deflection Industrial Supply Grille with Horizontal Blades

**HMEOB-I**

Single Deflection Industrial Supply Register with Horizontal Blades (includes OB Damper)

**DESCRIPTION:**

1. Construction: 6063 Extruded aluminum frame mechanically interlocked with hairline mitered corner for strength. A single set of 6063 extruded aluminum blades on 3/4" (19.05) centers provide air control in a single plane. Blades are individually adjustable with zero metal-to-metal contact with the use of nylon bushings to eliminate noise, corrosion and vibration. Extruded flexible vinyl gasket is standard and produces a perfect positive air seal.
2. Optional screwdriver operated opposed blade damper with nylon bushings.
3. Minimum size: 4"x 4" (102 x 102).  
Maximum size: 48" x 48" (1219 x 1219)  
For larger and fractional sizes, consult factory.
4. Standard fastening is countersunk screw holes.
5. ME (square contour) is standard frame style.
6. Standard finish is White.

**OPTIONS:**

1. Finish

- ANOD Clear Anodized
- MB Medium Bronze
- B Black
- Custom \_\_\_\_\_

2. Frame style

- Beveled Frame Available

3. Other

- HME-OB-PF, VME-OB-PF
- HME-OB-FL, VME-OB-FL
- HME-PF, VME-PF

**PROJECT:**

**ENGINEER:**

**CONTRACTOR:**

**DATE**

**SERIES**

**DRAWING NO.**