

RETURN GRILLES AND REGISTERS SERIES

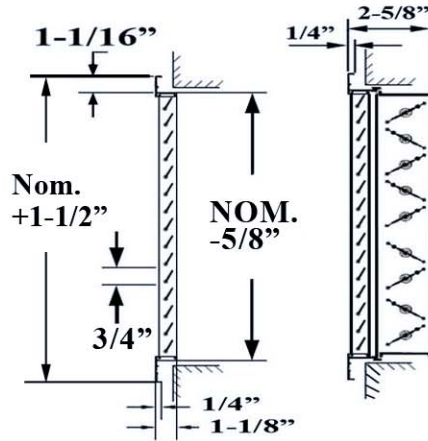
RETURN GRILLES AND REGISTERS WITH 38° FIXED BLADE

MODELS: RAME, RAME-OB, RAME-0, RAMECB

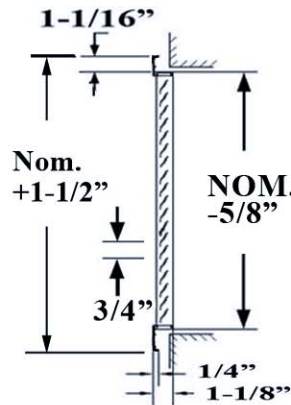
SUSTAINABLE EXTRUDED ALUMINUM

Dimensions are in inches (mm)

RAME



RAMECB



- RAME**
Return grille with square contour frame.
- RAME-OB**
Return grille with square contour frame and opposed blades damper.
- RAMECB**
Return grille with square contour frame and curved blades.
- RAME-0**
Return grille with square contour frame and 0 degree deflection.

DESCRIPTION:

1. The Model RAME has square contour frame. Frame and blades are 6063 extruded aluminum alloy with 200-R1 satin anodized finish.
2. The frame has a typical wall thickness of .050", and is separated from blades by an extruded rigid PVC track that becomes an integral part of the frame. This method of assembly eliminates corrosion and vibration.
3. The blades are in a fixed position. When airfoil in design, they can be mounted only at the fixed 38° and 0° settings and are spaced 3/4" on center.
4. An optional opposed blade damper is attached to the return grille with positive-locking spring clips. It has the same aluminum construction and is screwdriver-operated through the face of the unit.
5. Available in clear anodized, white or a variety of custom colors.

OPTIONS:

1. Finish
 - ANOD Clear Anodized
 - WHITE
 - MB Medium Bronze
 - B Black
 - Custom _____

PROJECT:

ENGINEER:

CONTRACTOR:

DATE

SERIES

DRAWING NO.