

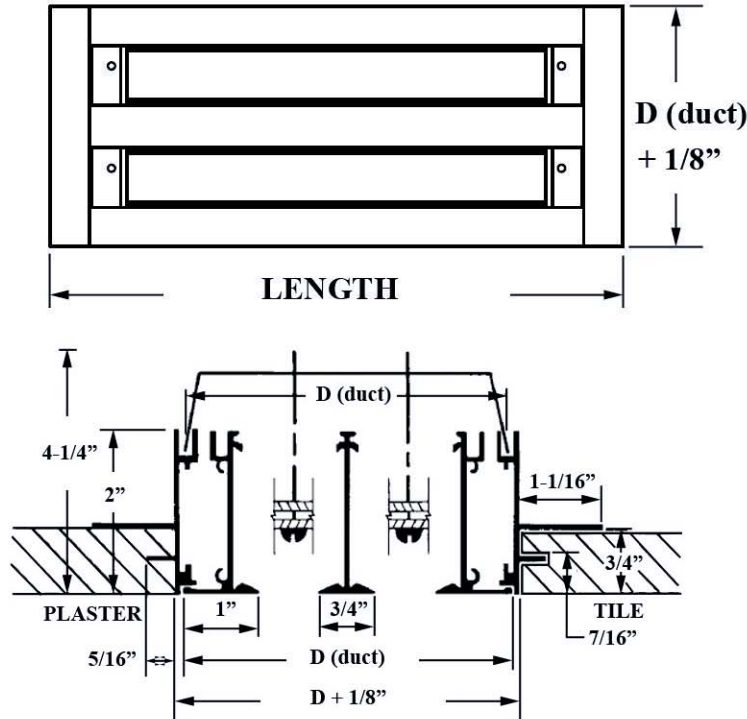
AIR SLOT DIFFUSERS

Flush mount for tile or plaster.

MODELS: ASD TYPE XVI

SUSTAINABLE EXTRUDED ALUMINUM

Dimensions are in inches (mm)



Number of Slots	1	2	3	4	5
"D" Dimension 1/2"-3/4"	2 ¹³ / ₁₆	4 ⁵ / ₁₆	5 ¹³ / ₁₆	7 ⁵ / ₁₆	8 ¹³ / ₁₆
"D" Dimension 1"	3 ¹ / ₁₆	4 ¹³ / ₁₆	6 ⁹ / ₁₆	8 ⁵ / ₁₆	10 ¹ / ₁₆

Number of Slots	6	7	8	9	10
"D" Dimension 1/2"-3/4"	10 ⁵ / ₁₆	11 ¹³ / ₁₆	13 ⁵ / ₁₆	14 ¹³ / ₁₆	16 ⁵ / ₁₆
"D" Dimension 1"	11 ¹³ / ₁₆	13 ⁹ / ₁₆	15 ⁵ / ₁₆	17 ¹ / ₁₆	18 ¹³ / ₁₆

The suffix "-wide" will add 1/8" to the flange width and 1/4" to the overall dimension.

DESCRIPTION:

- Type XVI is flush mount for tile or plaster. For 1/2" slot, center T extrusion changes to 1"-outer flange changes to 1-1/8".
- 1/2" model available only with aluminum adjustable pattern device.

MODEL:

ASD TYPE XVI



ASD TYPE XVI

Flush mount for tile or plaster.

OPTIONS:

1. Finish

- ANOD Clear Anodized
- WHITE
- MB Medium Bronze
- B Black
- Custom _____

2. Options

- 1/2" slot; 3/4" slot; 1" slot

PROJECT:

ENGINEER:

CONTRACTOR:

DATE

SERIES

DRAWING NO.