

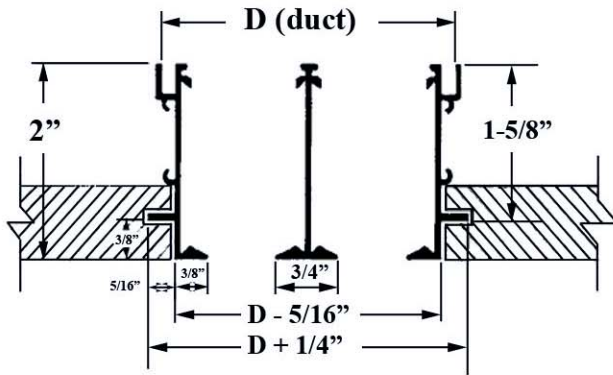
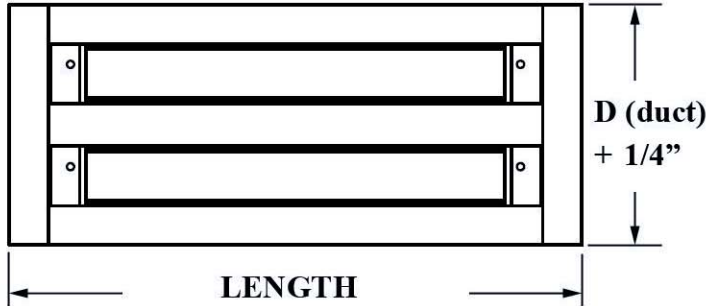
AIR SLOT DIFFUSERS

Tile mount.

MODELS: ASD TYPE XV

SUSTAINABLE EXTRUDED ALUMINUM

Dimensions are in inches (mm)



Number of Slots	1	2	3	4	5
"D" Dimension 3/4"	1-7/8	3-3/8	4-7/8	6-3/8	7-7/8
"D" Dimension 1"	2-1/8	3-7/8	5-5/8	7-3/8	9-1/8

Number of Slots	6	7	8	9	10
"D" Dimension 3/4"	9-3/8	10-7/8	12-3/8	13-7/8	15-3/8
"D" Dimension 1"	10-7/8	12-5/8	14-3/8	16-1/8	17-7/8

The suffix "-wide" will add 1/8" to the flange width and 1/4" to the overall dimension.

DESCRIPTION:

1. Type XV is for tile mount.
2. 1/2" slot is not available for this type.

MODEL:

ASD TYPE XV



ASD TYPE XV

Tile mount.

OPTIONS:

1. Finish

- ANOD Clear Anodized
- WHITE
- MB Medium Bronze
- B Black
- Custom _____

2. Options

- 3/4" slot; 1" slot

PROJECT:

ENGINEER:

CONTRACTOR:

DATE

SERIES

DRAWING NO.