

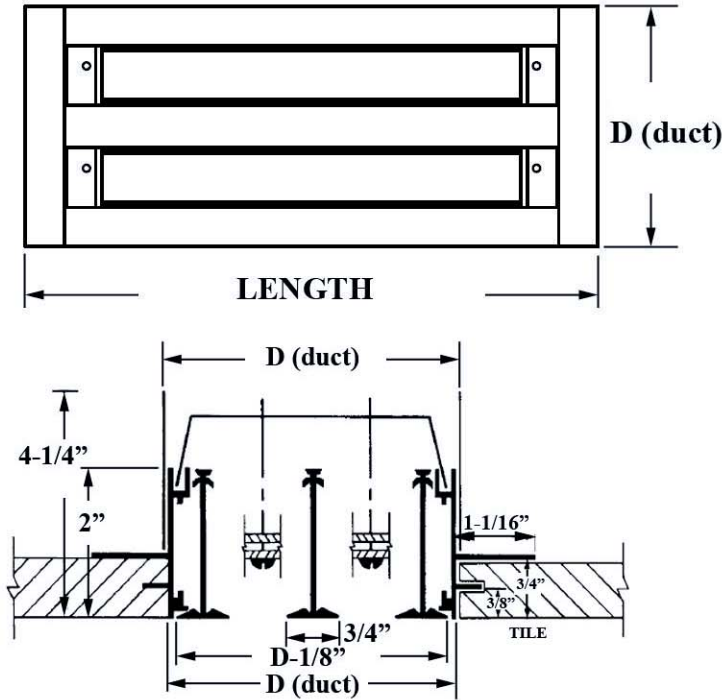
AIR SLOT DIFFUSERS

PLASTER OR TILE MOUNT WITH NARROW OUTER FRAME.

MODELS: ASD TYPE XII

SUSTAINABLE EXTRUDED ALUMINUM

Dimensions are in inches (mm)



MODEL:

ASD TYPE XII



ASD TYPE XII

Plaster or tile mount with narrow outer frame.

Number of Slots	1	2	3	4	5
"D" Dimension 3/4"	2-3/8	3-7/8	5-3/8	6-7/8	8-3/8
"D" Dimension	2-5/8	4-3/8	6-1/8	7-7/8	9-5/8

Number of Slots	6	7	8	9	10
"D" Dimension 3/4"	9-7/8	11-3/8	12-7/8	14-3/8	15-7/8
"D" Dimension	11-3/8	13-1/8	14-7/8	16-5/8	18-3/8

The suffix "-wide" will add 1/8" to the flange width and 1/4" to the overall dimension.

OPTIONS:

1. Finish

- ANOD Clear Anodized
- WHITE
- MB Medium Bronze
- B Black
- Custom _____

2. Options

- 3/4" slot; 1" slot

DESCRIPTION:

1. Type XII is for plaster or tile mount with narrow outer frame.
2. 1/2" slot is not available for this type.

PROJECT:

ENGINEER:

CONTRACTOR:

DATE

SERIES

DRAWING NO.