

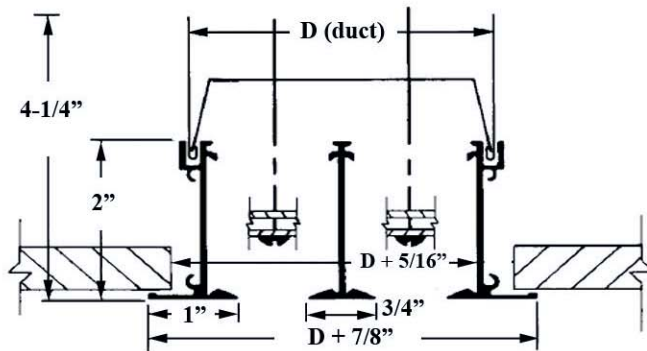
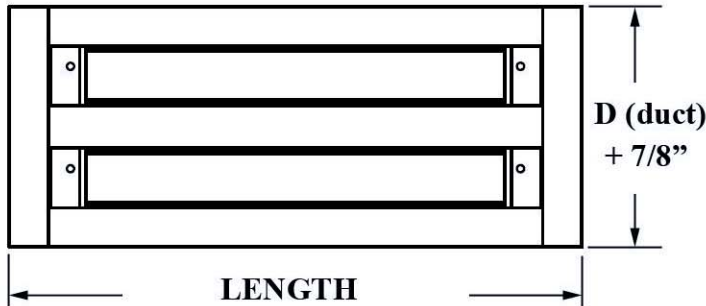
AIR SLOT DIFFUSERS

CONCEALED MOUNTING WITH SHORT HANGER STRAP

MODELS: ASD TYPE X

SUSTAINABLE EXTRUDED ALUMINUM

Dimensions are in inches (mm)



Number of Slots	1	2	3	4	5
"D" Dimension 1/2"-3/4"	1-7/8	3-3/8	4-7/8	6-3/8	7-7/8
"D" Dimension 1"	2-1/8	3-7/8	5-5/8	7-3/8	9-1/8

Number of Slots	6	7	8	9	10
"D" Dimension 1/2"-3/4"	9-3/8	10-7/8	12-3/8	13-7/8	15-3/8
"D" Dimension 1"	10-7/8	12-5/8	14-3/8	16-1/8	17-7/8

The suffix "-wide" will add 1/8" to the flange width and 1/4" to the overall dimension.

DESCRIPTION:

1. Type X is for concealed mounting with short hanger strap. For 1/2" slot, center T extrusion changes to 1"-outer flange changes to 1-1/8".
2. 1/2" model available only with aluminum adjustable pattern device.

MODEL:

ASD TYPE X



ASD TYPE X

Concealed mounting with short hanger strap.

OPTIONS:

1. Finish

- ANOD Clear Anodized
- WHITE
- MB Medium Bronze
- B Black
- Custom _____

2. Options

- 1/2" slot; 3/4" slot; 1" slot

PROJECT:

ENGINEER:

CONTRACTOR:

DATE

SERIES

DRAWING NO.