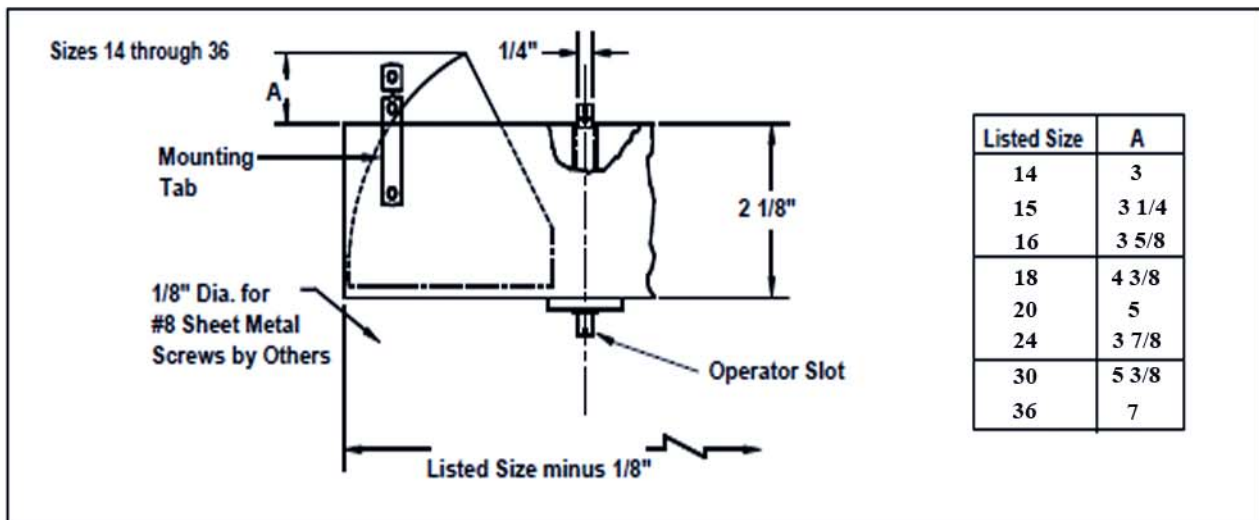
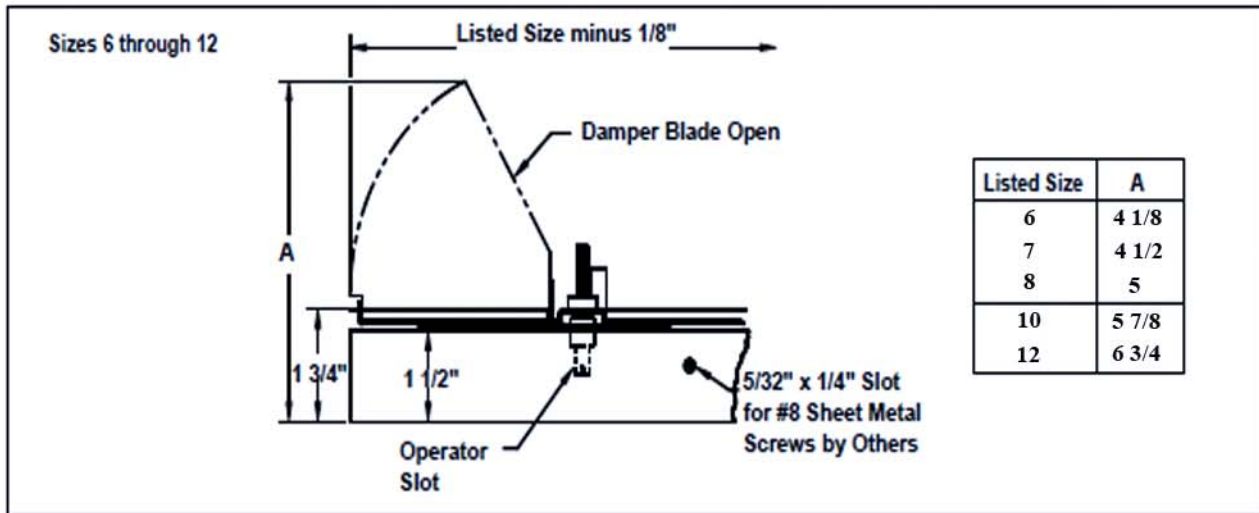


Air Balancing Devices

Opposed Blade Damper • Duct Mounted For Round Necks

Model: OBR



All dimensions are in inches.

Standard Finish: MILL

General Description

- Duct mounted opposed blade damper used in round duct application.
- Gang operated blades (3 sets on Sizes 6" - 12", 4 sets on Sizes 14" - 20", 6 sets on Sizes 24" - 36") distribute air evenly through the diffuser or duct. Not recommended for flexible duct applications.
- Adjustable at screwdriver operator slot.
- Shipped loose for field installation.
- Material is galvanized steel.